

eStorm-L1 - Freescale KL25 based Platform

eStorm-L1 is the latest offering from Embien Technologies targeted for low cost processing segment. With multiple connectivity options and Analog/Digital IOs, the platform is ideal for wide of range of application primarily for Data acquisition and M2M connectivity.

Platform Specifications

Processor:

- ❖ Freescale MKL25Z128VLH4 microcontroller
- ❖ ARM Cortex M0+ core at 48MHz
- ❖ 128 KB Integrated flash and 16 KB SRAM

Connectivity:

- ❖ USB device interface
- ❖ Serial communication interface over RS232/RS485
- ❖ Dual Band GSM Modem
- ❖ Secure Internet over GPRS

Devices:

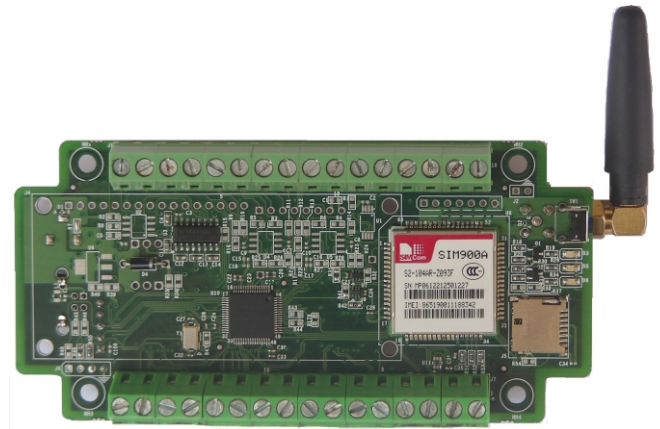
- ❖ Micro SD card memory Interface
- ❖ RTC with lithium coin cell backup
- ❖ EEPROM with up to 4KB memory
- ❖ Character LCD display

Input/Outputs:

- ❖ Up to 8 analog Inputs with gain adjustment
- ❖ Up to 8 digital outputs (FET/BJT modes)
- ❖ Up to 4 digital inputs
- ❖ Fully Adjustable Gain with protection

Other features:

- ❖ Keypad or TSI capacitive touchpad
- ❖ Up to 3 LEDs and configuration switch
- ❖ 12V DC power supply/USB Supply
- ❖ Industrial grade components



Development ecosystem

Target applications can be designed for eStorm-L1 platform with Embien's embedded application suite – RAPIDSEA. The differentiating features of the eStorm-L1 – RAPIDSEA combination are:

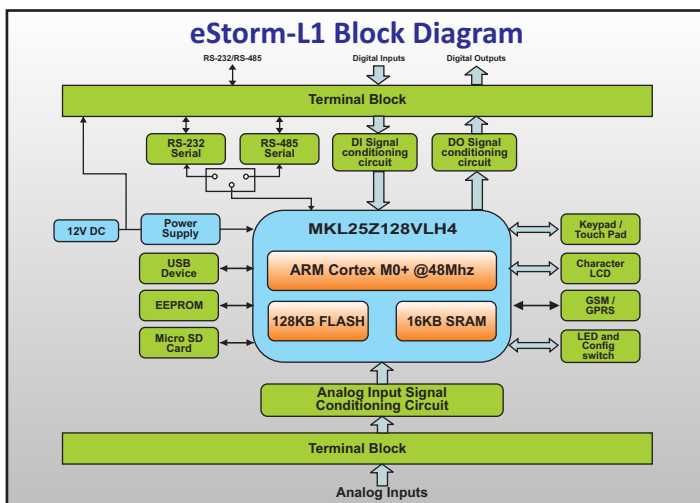
- ❖ Data Driven design of the target application
- ❖ Fully tested software modules
- ❖ Code protection and security
- ❖ Over the Air Upgrade support
- ❖ Drag and Drop Design using the Flint IDE
- ❖ Graphical and simple scripting language programming support
- ❖ Cross platform support for Flint and GCC tool chain

Applications

Embien Technologies offers fully functionally software stack completely tested for the platform. Some of the applications of the platform include:

- ❖ High Speed Data Acquisition
- ❖ Remote Data Logger
- ❖ M2M Connectivity
- ❖ IoT Applications
- ❖ Nano-PLCs
- ❖ Security System
- ❖ Industrial and Domestic Automation

Embien also offers its embedded expertise in customizing the platform for user requirements. For pricing and other details, please contact us at the below addresses or our website www.embien.com.



Embien Technologies is a leading technology solution provider for the embedded domain. With vast experience and cognizance, we offer innovative products for rapid design and development of embedded systems. Our expertise includes ARM SoMs, Development boards, Windows/Linux/Android/RTOS BSP and Driver Development, firmware and application development.

Note: Embien has the right to change the specification of this product offering without notice.

Corporate Office:

Embien Technologies India Pvt Ltd,
B44, II Main,
Kalai nagar,
Madurai – 625 017
Tel/Fax: +91-452-452115

Bangalore

Embien Technologies India Pvt Ltd,
#44, 1st floor, 16th cross, 16th Main,
BTM II Stage,
Bangalore - 560 076.
Phone: +918056333955

Chennai

Embien Technologies India Pvt Ltd,
No:113/262, 52 nd Street,
T.V.S Colony, Anna Nagar West Extn,
Chennai – 600 101
Phone: +918056333955